

1 Products affected

Product hierarchy no. *				Part no.	SBU	Type / Description	Customer part no.
SBU	PG	PUG	Type				
80	081	004	0000006245	See list below	EMC	DKIH-4	

*SBU (2-digit) / PG (3-digit) / PUG (3-digit) / Type (10-digit)

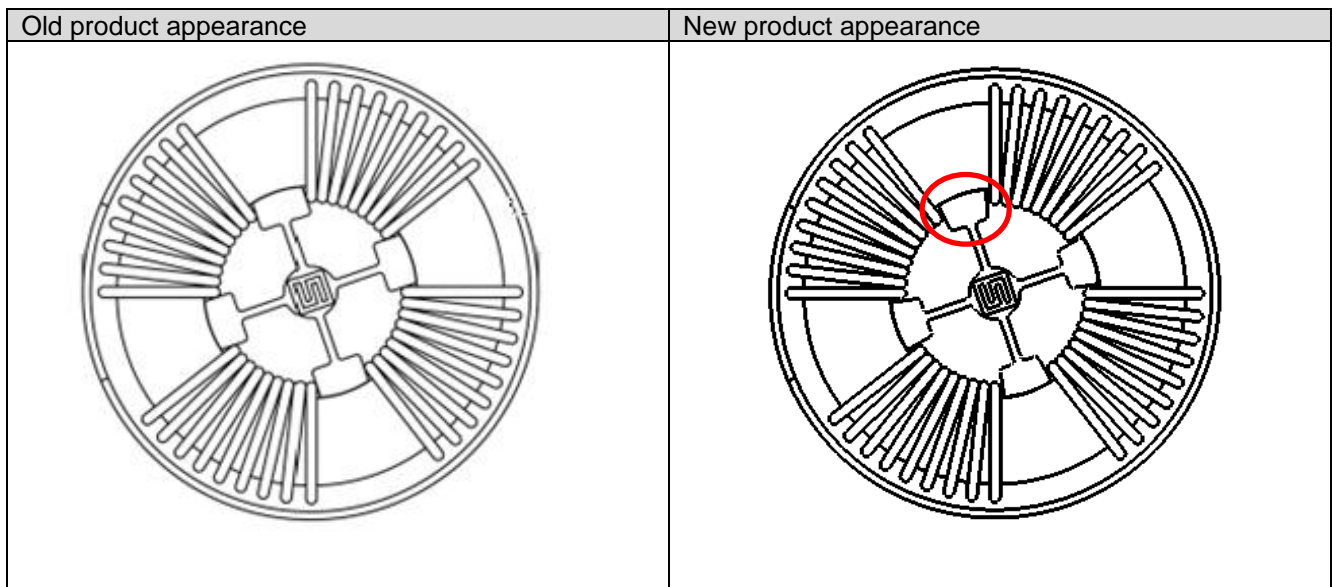
List of part numbers affected			
3-108-433	3-108-437		
3-108-434	3-108-438		
3-108-435	3-108-439		

2 Type of change

Change of the winding separator

3 Detailed description of change

A slight change in the shape of the separator provides more space for windings without changing the winding-to-winding distances.



4 Reason of change

- Optimize assembly process

5 Release date

The change will be rolled-out starting ww 12/2021 (Date code 2112 or higher on label) and lasts approx. 6 months depending on the variant.

Product Change Notification					PCN DKIH-4 - change separator shape		
owner	creation date	release date	released by	change order no	rev	page	D10-055-406
segatro	16.02.2021	16.02.2021	blumhe	2021452	A	1 of 2	

6 Impact of change and recommended action

Form	Yes	No action required
Fit	No	
Function	No	
Manufacturing	No	
Label	No	
Packaging	No	

7 Reference Documents / Attachments

Kind of document	Remarks
Data Sheet	

Product Change Notification					PCN DKIH-4 - change separator shape		
owner	creation date	release date	released by	change order no	rev	page	D10-055-406
segatro	16.02.2021	16.02.2021	blumhe	2021452	A	2 of 2	